

## EB FLOW METER

www.eskopacific.com  
EB DATASHEET



Variable area flow meter for large flows of water and air.

Where great mechanical strength is essential.

### APPLICATIONS

- Water treatment plants
- Sealing and cooling water measurement
- Flush water applications
- Lubrication oil for large gear boxes
- Compressed air measurement

### FEATURES

- Solid construction, impact resistant flow tube
- Large selection of flow ranges
- Threaded or flanged connections
- Alarm capable
- Easy to install and maintain

EB FLOW METER

### SPECIFICATIONS

MODEL	EB-A	EB-S	EBF-S
<b>BODY MATERIAL</b>	<b>ALUMINUM</b>	<b>SS316</b>	<b>SS316 FLANGE</b>
Metering tube	Grilamid® TR 55 or PES	Grilamid® TR 55 or PES	Grilamid® TR 55 or PES
Float material	SS316	SS316	SS316
O-ring seals	Nitrile (optional Viton® or EPDM)	Nitrile (optional Viton® or EPDM)	Nitrile (optional Viton® or EPDM)
Maximum pressure	290 psi	290 psi	290 psi
Maximum temperature			
Grilamid® tube	176°F / 80°C	176°F / 80°C	176°F / 80°C
Polysulphone PSU tube	248°F / 120°C	248°F / 120°C	248°F / 120°C
Connections	2" NPT	2" NPT	ANSI 2" 150 lb flange
Weight	7.3 lb (3.3 kg)	9.9 lb (4.5 kg)	14.6 lb (6.6 kg)

Build options	Special materials for high temperature and corrosive media, calibration for non-standard liquids and gases
Optional accessories	Adjustable alarm sensor

EB FLOW METER

**FLOW METER** **EB**

**CONNECTION TYPE**  
2" FNPT threaded connection  
ANSI 2" 150 lb flange (SS316 only) **F**

**END BLOCK MATERIAL** Aluminum **A**  
SS316 **S**

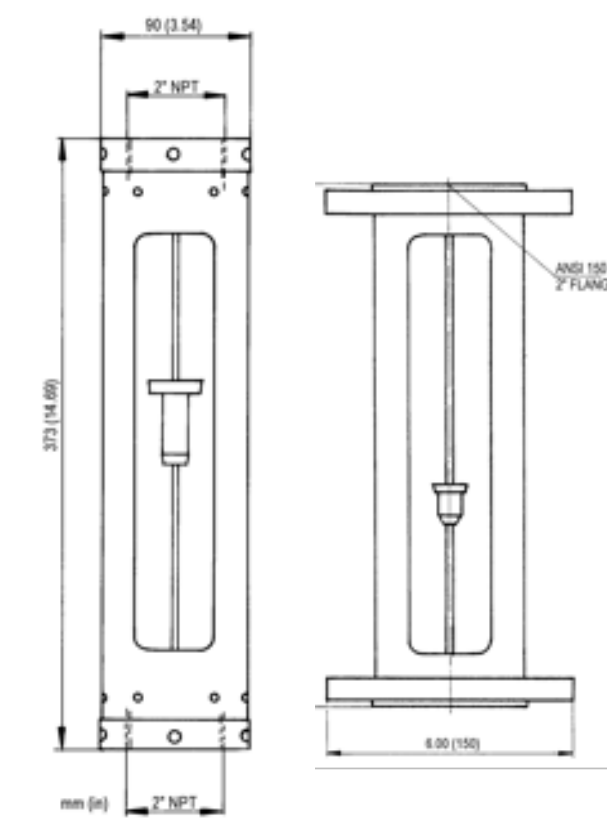
FLOW RANGE	WATER		AIR		
	GPM	LPM	SCFM	NLPM	
15	55	70	1900	<b>A</b>	
27.5	105	120	3000	<b>B</b>	
40	150	160	4250	<b>C</b>	
52.5	200	220	6000	<b>D</b>	
90	320	380	10000	<b>E</b>	
110	400	450	12000	<b>F</b>	
130	500	-	-	<b>G</b>	

**SCALE**

Water GPM	<b>1</b>
Air SCFM (14.7 psia @ 68°F)	<b>2</b>
Water LPM	<b>4</b>
Air NLPM (101.3 kPa @ 20°C)	<b>5</b>
Relative Scale (1-10)	<b>R</b>

**OPTIONS**

Alarm readiness	<b>A</b>
PES/PSU flow tube	<b>P</b>
Viton® O-ring seals	<b>V</b>
EPDM O-ring seals	<b>E</b>



**HOW TO SPECIFY MODEL NUMBER, an EXAMPLE:**

**EB** meter for water flow built with SS316 end blocks, comes with Viton® O-rings:

- |  |                 |
|--|-----------------|
| 1. Select meter type <b>EB</b> for 2" FNPT connections     | <b>EB-</b>      |
| 2. Select end block material <b>S</b> for SS316 end blocks | <b>EB-S</b>     |
| 3. Specify flow range <b>C</b> up to 40 GPM                | <b>EB-SC</b>    |
| 4. Choose scale type <b>1</b> for water                    | <b>EB-SC1</b>   |
| 5. Add build option <b>V</b> for Viton® O-rings            | <b>EB-SC1-V</b> |

**SPECIAL ORDER CONSTRUCTION** use order code **EB-EXXXX**

A unique manufacturing number will be assigned at the time of production (eg. EB-E3749)  
Contact us for details.



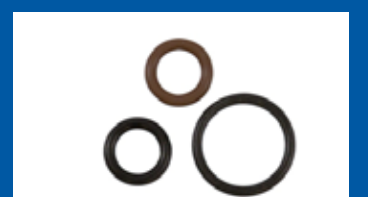
BODY MATERIAL



FLANGE



ALARM



O-RINGS