



2020.08

# EMI SINGLE FLOW SEAL WATER METER

www.eskopacific.com  
EMI DATASHEET



Ideal for medium seal flush flow rates up to 8.5 GPM.

Easy installation with mounting plates and floor stands.

### APPLICATIONS

- Sealing and cooling water measurement for single and double mechanical seal applications.

### FEATURES

- Solid, reliable construction
- Large selection of flow ranges
- Easy to install and maintain
- Impact resistant flow tube
- Low flow alarm available

EMI SINGLE FLOW SEAL WATER METER

## SPECIFICATIONS

MODEL	EMI-D	EMI-K	EMI-S
<b>BODY MATERIAL</b>	<b>DELRIN® (POM)</b>	<b>KYNAR® (PVDF)</b>	<b>SS316</b>
Metering tube	Grilamid® TR55 or Polysulphone (PSU)	Grilamid® TR55 or Polysulphone (PSU)	Grilamid® TR55 or Polysulphone (PSU)
Side plate	SS316	SS316	SS316
O-ring seals	Nitrile (optional Viton® or EPDM)	Nitrile (optional Viton® or EPDM)	Nitrile (optional Viton® or EPDM)
Maximum pressure	290 psi	290 psi	440 psi
Maximum temperature			
Grilamid® tube	176°F / 80°C	176°F / 80°C	176°F / 80°C
Polysulphone PSU tube	248°F / 120°C	248°F / 120°C	248°F / 120°C
Connections	1/2" NPT female threads	1/2" NPT female threads	1/2" NPT female threads
Weight	2.1 lb (0.95 kg)	2.1 lb (0.95 kg)	4.4 lb (2.0 kg)
Build options	Body material, metering tube, O-ring seals		
Optional accessories	Inductive adjustable alarm, pressure gauge (with optional red set pointer), mounting stand, flow marker for optimal flow rate or range, pair with constant flow regulator Model EFR		

EMI SINGLE FLOW SEAL WATER METER

## SEAL WATER METER

**EMI** - [ ] - [ ] - [ ] - [ ] - [ ]

SINGLE FLOW TUBE  
DUAL FLOW MODEL      **2**

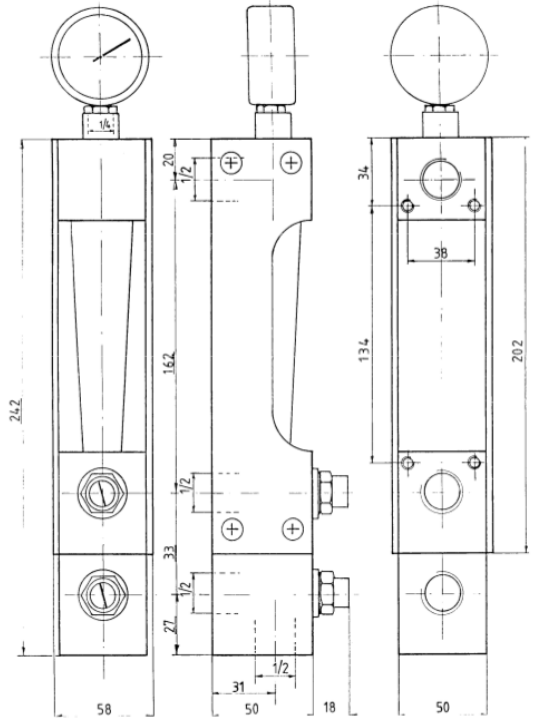
END BLOCK MATERIAL    Aluminum      **A**  
                                 Delrin® (POM)      **D**  
                                 Kynar® (PVDF)      **K**  
                                 SS316              **S**

FLOW RANGE	WATER		
	GPM	LPM	
NOTE: Flow range codes have been updated.	0.5	2	<b>J</b>
	0.9	3	<b>K</b>
	1.4	5	<b>L</b>
Please contact us for model code conversion information.	2.2	9	<b>M</b>
	2.6	10	<b>O</b>
	4.25	16	<b>P</b>
	6	22	<b>S</b>
	8.5	32.5	<b>T</b>

SCALE    Water GPM      **1**  
            Water LPM      **4**  
            Relative Scale (1-10)      **R**

OPTIONS    PES/PSU flow tube      **P**  
                 Viton® O-ring seals      **V**  
                 EPDM O-ring seals      **E**  
                 Backpressure valve      **B**  
                 Gauge (160 psi standard)      **G**  
                 Mounting bracket      **M**

08/2020



BODY MATERIALS



METERING TUBE



PRESSURE GAUGE



ALARM SENSOR