

esko

Kytola Flowmeter Model SLM

The Kytola Model SLM sealing liquid monitor is designed for applications where uninterrupted seal water flow is required. Adequate seal water flow for cooling and lubrication result in water savings, energy savings, reduced maintenance and extended life of seals. The SLM is compatible with all seal types. The modular construction and many accessories make it very flexible.



Built-in tube cleaner

Applications

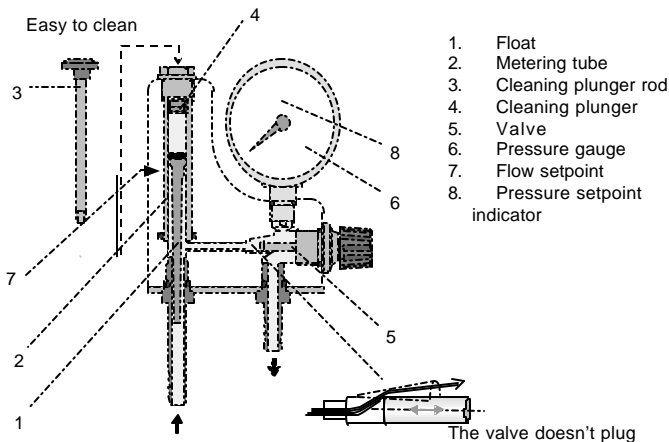
- Seal flush systems
- Single and double mechanical seals
- Gland packings

Features

- Reliable operation
- Solid construction
- Excellent corrosion and heat resistance
- Clear metering scale
- Alarm ready
- Clog resistant flow control valve
- Hose barb connectors (straight tube connectors for compression fittings on request)
- Mounting bracket
- Built-in tube cleaner

Options

- PSU (polysulphone) tube
- Inductive adjustable alarm
- Pressure gauge
- Floor mounting stand
- Hoses and hose barb connectors for pumps
- Pressurizing valve for double mechanical seals



Technical Specifications

Body	Standard POM or PVDF: option K
Metering tube	Polysulphone (PSU)
Metallic parts	AISI 316 and AISI 329
Seals	Viton o-rings
Max. Pressure	435 psi @ 120°F
Max. Temperature	212°F (100°C): POM body/PSU tube 266°F (130°C): PVDF body/ PSU tube
Connection size	Standard 3/8"ID Hose, Optional 3/8"OD Tube (for compression fitting)
Weight	2 lb. 10 oz (1.2 kg) incl. Pressure gauge, pressurizing valve and packaging

