

APPLICATIONS: Nitrogen, water and air purging monitoring

The ELF meter is an Esko purgometer with several new and improved features which make this meter easy and safe to install and service.

IMPROVED:

The modular design makes it easy and fast to change from one flow range to another by swapping out scale/float. Add on accessories such as a hand knob or constant flow regulator.

IMPROVED:

Optional hand knob can be added onto the existing valve.



IMPROVED:

Valve has been designed for safety. Can be installed on inlet or outlet.

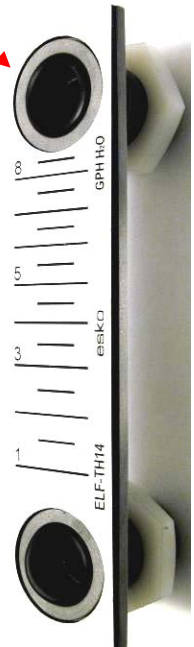
IMPROVED:

The detachable scale makes it easy to change flow rates. Some restrictions apply.



IMPROVED:

The ELF is built in North America using standard North American parts sizes.



Technical Specifications

	ELF-A	ELF-G	ELF-T
Body	Acrylic	Grilamid	Trogamid
Standard seals (option)	Nitrile (Viton, EPDM)	Nitrile (Viton, EPDM)	Nitrile (Viton, EPDM)
Standard connections	¼" NPT SS 316	¼" NPT SS 316	¼" NPT SS 316
Valve assembly	SS 316	SS 316	SS 316
Options	Hand knob, constant flow regulator	Hand knob, constant flow regulator	Hand knob, constant flow regulator
Max. pressure	440 psi @ 85°F (30°C)	440 psi @ 95°F (35°C)	440 psi @ 85°F (30°C)
Max. temperature	167°F (75°C) @ 290 psi	176°F (80°C) @ 290 psi	158°F (70°C) @ 290 psi
Accuracy	±10% F.S. H ₂ O @ 68°F (20°C)	±10% F.S. H ₂ O @ 68°F (20°C)	±10% F.S. H ₂ O @ 68°F (20°C)
Weight	0.75 lb (340 g)	0.6 lb (300 g)	0.6 lb (300 g)

Order Guide

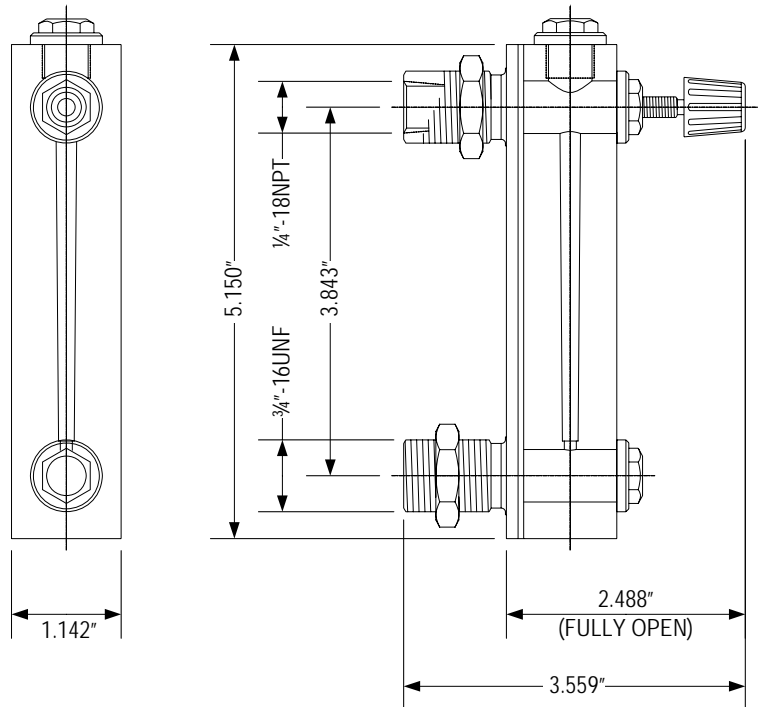
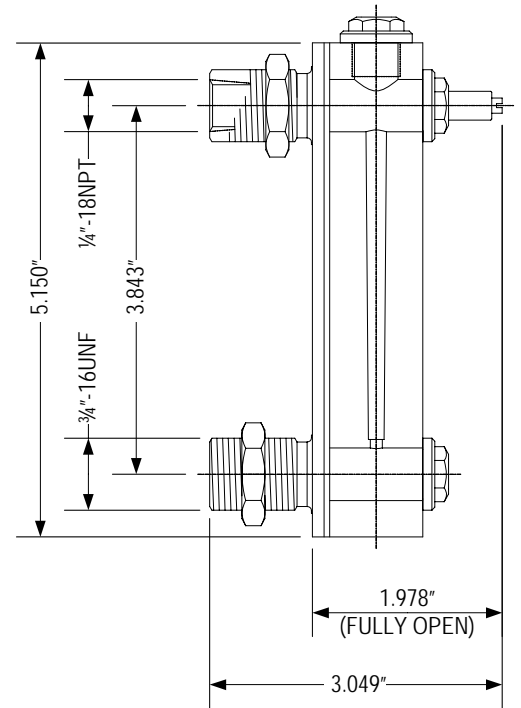
ELF -									
									BODY MATERIAL
	A								Acrylic
	G								Grilamid
	T								Trogamid
									FLOW RANGE
									WATER
									AIR
									USGPH LPM SCFH NLPM
	A								0.35 0.02 2.5 1.3
	B								0.6 0.04 3.5 1.8
	C								1.0 0.06 5.5 2.6
	D								1.5 0.1 8.5 4
	E								2.2 0.14 14 6
	F								4 0.25 18 9
	G								6 0.4 28 12
	H								9 0.55 40 18
	I								12 0.8 60 30
	J								20 1.2 100 45
	K								40 2.5 120 60
									SCALE
	1								Water USGPH
	2								Air SCFH (14.7 psia @ 70°F)
	3								Dual Scale USGPH / SCFH
	4								Water LPM
	5								Air NLPM (101.3 kPa @ 20°C)
	6								Dual scale LPM / NLPM
	7								Percent scale 10-100%
	R								Relative scale (1-10)
	X								Special scale *
									OPTIONS
	H								Hand adjusting knob
	V								Viton o-ring seals
	E								EPDM o-ring seals
	R								BSP threads

How to specify the model number (eg. ELF-AH1-H)

1. Select body material (ELF-A for acrylic)
2. Select flowrange / scale (**H1** for water 9 USGPH)
3. Select options (**H** for handknob)

* Special materials and scales

Custom materials, scales, and scale markings are available. For custom flow meters use order code ELF-X. A unique manufacturing number will be assigned at time of production (eg. ELF-E9345). Contact Esko for details.



Manufacturer

Distributor

esko PACIFIC SALES LTD.

Canada: 3480 Gardner Court, Burnaby, BC V5G 3K4

USA: PO Box 5547, Bellingham WA 98227-5547

Toll free: 1-800-665-3756 (ESKO)

Fax: 604-294-3727

Email: info@eskopacific.com

Internet: www.eskopacific.com